

INTRODUCTION

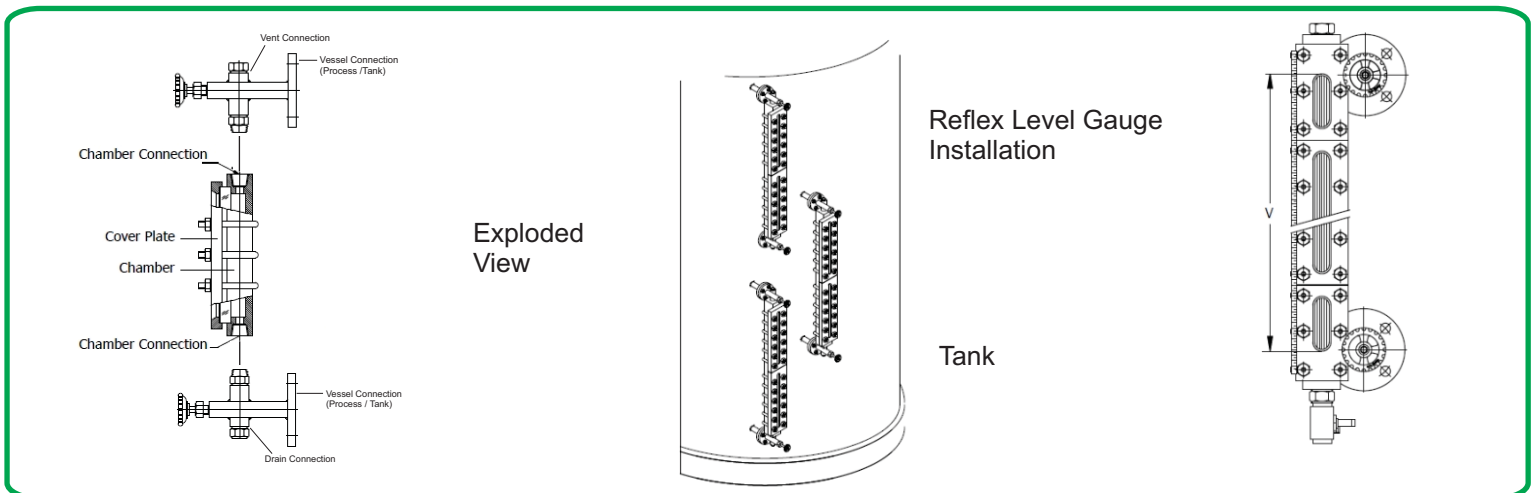
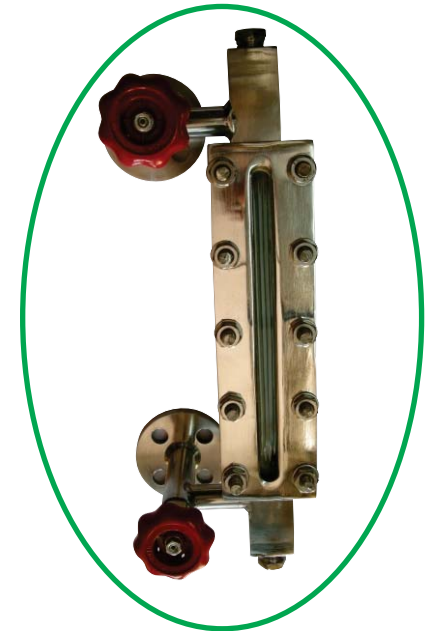
'TANSA' make Reflex Level Indicators are designed for safe and positive visual indication of liquid level in vessels under high pressure and temperature conditions.

PRINCIPLE

'TANSA' make Reflex flat glass Level Indicators has precision moulded prismatic grooves cut on inner surface, which comes in contact with liquid. Light striking on glass portion covered by liquid is reflected (absorbed) making this portion appear BLACK, whereas glass portion covering vapour space reflects light making it appear SILVERY - WHITE. Thus a sharp clear line marks the liquid, eliminating all possibilities of errors in reading.

Gauge Classification

Low Pressure	:	30 Kg/cm ²
Medium Pressure	:	65 Kg/cm ²
High Pressure	:	100 Kg/cm ²



Design Data

Gauge Glass	:	Tempered soda ash / Borosilicate (30W x 17mm Thk) / Tempered Borosilicate (34W x 17mm Thk)
Cushion / Gasket	:	CAF, CNAF, PTFE, Ss304 Spiral wound with Graphite Filler & Ss316 Spiral wound with Graphite Filler
Body (Liquid Chamber)	:	CS, ASTM A-105, SS304, SS316 or PP (CS Reinforced)
Cover Plate	:	CS, ASTM A-105, SS304, SS316 or FRP
Bolts	:	CS, SS304 or A 193 Gr. B7
Nuts	:	CS, SS304 or A 193 Gr. B7
Process Connection Orientation	:	Rear / Rear or Left / Left or Right / Right or Vertical / Vertical
Isolation Valves	:	Offset needle valve x auto ball check x screwed bonnet (85 Kg/cm ²) / Union bonnet (165 Kg/cm ²) / Bolted bonnet (210 Kg/cm ²)

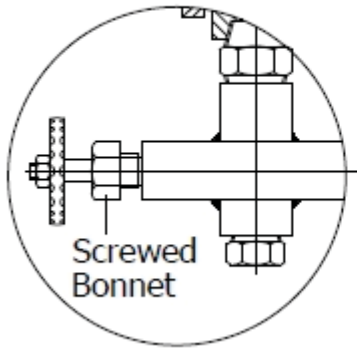


Reflex type Level Indicators

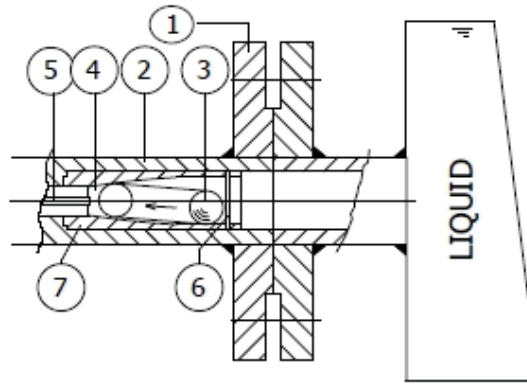
MODEL - RLI

Vent	:	1/2" NPT (BSP for PP / TEFLON MOC) plug / valve (Ball, Needle, Diaphragm, Globe, Gate as required)
Drain	:	1/2" NPT (BSP for PP / TEFLON MOC) plug / valve (Ball, Needle, Diaphragm, Globe, Gate as required)
Calibrated Scale	:	Polycarbonate / SS304 / Aluminum
Special Features	:	A) Frost free extn. :- Perspex shield with extension of 30mm. B) Jacketing :- Enclosure Cast Al, WP IP 65 or Ex-proof Gr. IIA & IIB or IIC
Note	:	Longer C-C Distance are provided in 2 chambers coupled with flange coupler

Screwed Bonnet



Isolating Valve Bonnet

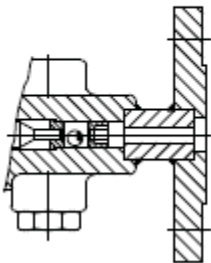


Gauge Side Vessel Side

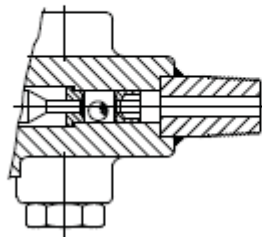
- 1) Process Flange
- 2) Neck
- 3) Ball
- 4) Orifice
- 5) Needle
- 6) Ball stopper
- 7) Capsule

Function Of Auto Ball Check

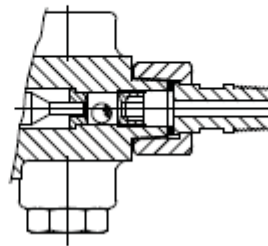
1) Flanged



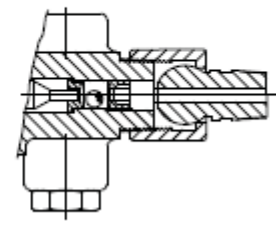
2) Male Screwed Shank



3) Male Screwed Union



4) Male Sph. Union



Process (Vessel) Connections



Unit No. 35/36/41, Om Anand Industrial Estate,
M. S. Road, Raghunath Nagar, Thane(W) - 400601.
Tele : 022 - 2583 23 23, 022 - 25823708
Mobile : +91 9833504585 / 9022827363
Email : tansaindia@gmail.com / sales@tansa.co.in

www.tansa.co.in
www.rotameters.co.in
www.orificeplate.in
www.flowmetersindia.net

Reflex type Level Indicators

MODEL - RLI

ORDERING INFORMATION

BASIC MODEL

RLI

BODY MATERIAL

C = Rectangular Carbon Steel Channel Box Powder Coated
 S = Rectangular AISI 304 SS Channel
 T = Rectangular AISI 316 SS Channel

TUBE GUARD

C = Carbon Steel S = AISI 304 SS T = AISI 316 SS

PROCESS CONNECTION

Screwed Connections		Flanged Connections(As per ANSI B 16.5)		
5NM = 1/2" NPT (M)	5BM = 1/2" BSP (M)	F501 = 1/2" 150# RF	F101 = 1" 150# RF	F201 = 2" 150# RF
5NF = 1/2" NPT (F)	5BF = 1/2" BSP (F)	F503 = 1/2" 300# RF	F103 = 1" 300# RF	F203 = 2" 300# RF
7NM = 3/4" NPT (M)	7BM = 3/4" BSP (M)	F506 = 1/2" 600# RF	F106 = 1" 600# RF	F206 = 2" 600# RF
7NF = 3/4" NPT (F)	7BF = 3/4" BSP (F)	F751 = 3/4" 150# RF	F151 = 1 1/2" 150# RF	F301 = 3" 150# RF
1NM = 1" NPT (M)	1BM = 1" BSP (M)	F753 = 3/4" 300# RF	F153 = 1 1/2" 300# RF	F303 = 3" 300# RF
1NF = 1" NPT (F)	1BF = 1" BSP (F)	F756 = 3/4" 600# RF	F156 = 1 1/2" 600# RF	F306 = 3" 600# RF
XXX = NON STANDARD				

TOP SIDE VENT

Screwed Connections		Flanged Connections(As per ANSI B 16.5)		
PN1 = PLUG - 1/2" NPT (M)		F501 = 1/2" 150# RF	F101 = 1" 150# RF	F201 = 2" 150# RF
PN2 = PLUG - 3/4" NPT (M)		F503 = 1/2" 300# RF	F103 = 1" 300# RF	F203 = 2" 300# RF
PN3 = PLUG - 1" NPT (M)		F506 = 1/2" 600# RF	F106 = 1" 600# RF	F206 = 2" 600# RF
NV4 = NEEDLE VALVE - 1/2" NPT (F)		F751 = 3/4" 150# RF	F151 = 1 1/2" 150# RF	F301 = 3" 150# RF
Bv5 = BALL VALVE - 1/2" NPT (F)		F753 = 3/4" 300# RF	F153 = 1 1/2" 300# RF	F303 = 3" 300# RF
		F756 = 3/4" 600# RF	F156 = 1 1/2" 600# RF	F306 = 3" 600# RF
XXX = NON STANDARD				

BOTTOM SIDE DRAIN

Screwed Connections		Flanged Connections(As per ANSI B 16.5)		
PN1 = PLUG - 1/2" NPT (M)		F501 = 1/2" 150# RF	F101 = 1" 150# RF	F201 = 2" 150# RF
PN2 = PLUG - 3/4" NPT (M)		F503 = 1/2" 300# RF	F103 = 1" 300# RF	F203 = 2" 300# RF
PN3 = PLUG - 1" NPT (M)		F506 = 1/2" 600# RF	F106 = 1" 600# RF	F206 = 2" 600# RF
NV4 = NEEDLE VALVE - 1/2" NPT (F)		F751 = 3/4" 150# RF	F151 = 1 1/2" 150# RF	F301 = 3" 150# RF
Bv5 = BALL VALVE - 1/2" NPT (F)		F753 = 3/4" 300# RF	F153 = 1 1/2" 300# RF	F303 = 3" 300# RF
		F756 = 3/4" 600# RF	F156 = 1 1/2" 600# RF	F306 = 3" 600# RF
XXX = NON STANDARD				

MATERIAL OF SCALE

AL = Aluminum (Standard) 4S = AISI 304 SS

CENTER TO CENTER DISTANCE

Please specify in mm (e.g. Write 500 for 500 mm Center to Center Distance)
 (This indicator will be supplied from 350 mm up to 3500 mm in single piece design and above 3500 mm, it will be supplied in two piece coupled design)

OPTIONS

BV = Ball Valve - Bolted Bonnet Type

Ordering Example : RLI - - - - - - - - - - - - - - mm - -

Note : Modifications may take place and materials specified may be replaced by others without prior notice.



Unit No. 35/36/41, Om Anand Industrial Estate,
 M. S. Road, Raghunath Nagar, Thane(W) - 400601.
 Tele : 022 - 2583 23 23, 022 - 25823708
 Mobile : +91 9833504585 / 9022827363
 Email : tansaindia@gmail.com / sales@tansa.co.in

www.tansa.co.in
www.rotameters.co.in
www.orificeplate.in
www.flowmetersindia.net